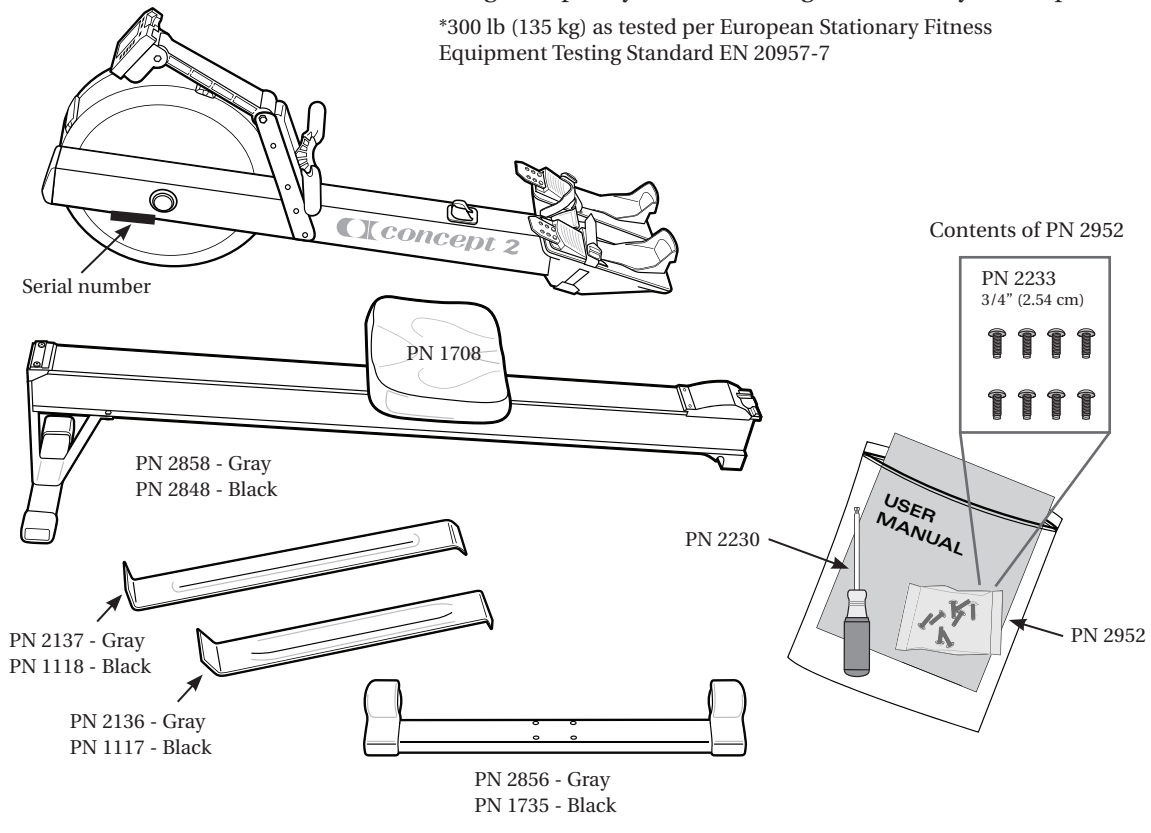


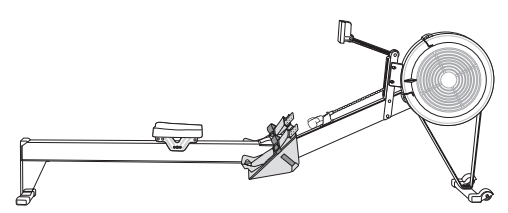
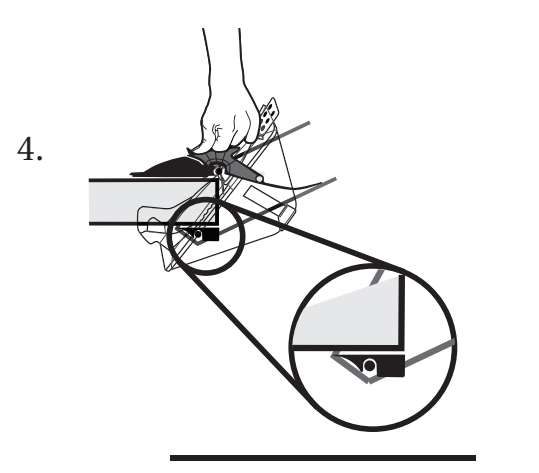
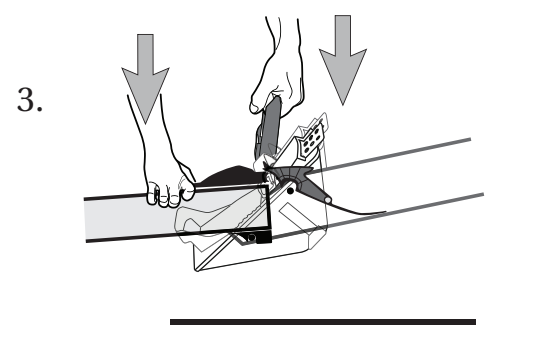
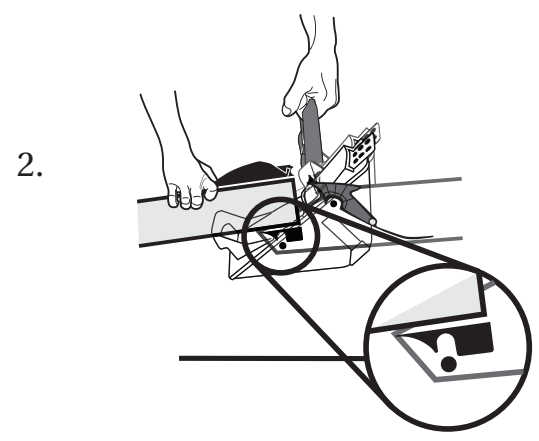
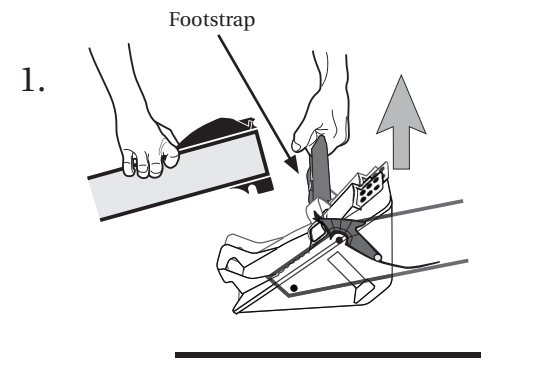
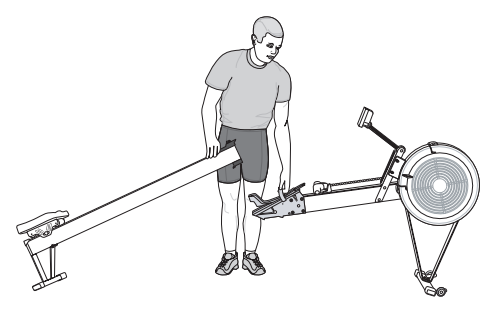
IMPORTANT NOTE:
Use these instructions for **MODEL D** assembly.

MODEL D

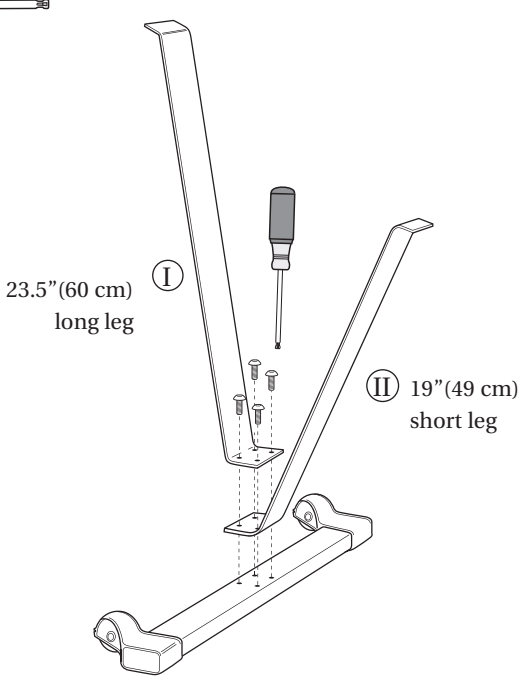
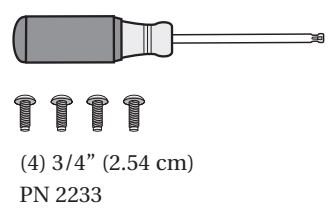
Weight: 57 lb (26 kg)
Dimensions: 8 ft x 2 ft (244 cm x 61 cm)
Space Required for Use: 9 ft x 4 ft (274 cm x 122 cm)
Weight Capacity: 500 lb (227 kg) as tested by Concept2*
*300 lb (135 kg) as tested per European Stationary Fitness Equipment Testing Standard EN 20957-7



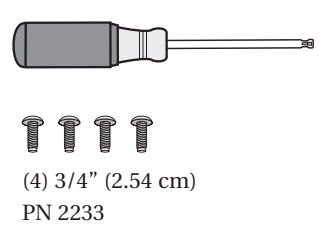
3



1



2



Assembly Tip
Do not fully tighten screws until all screws are in place.

